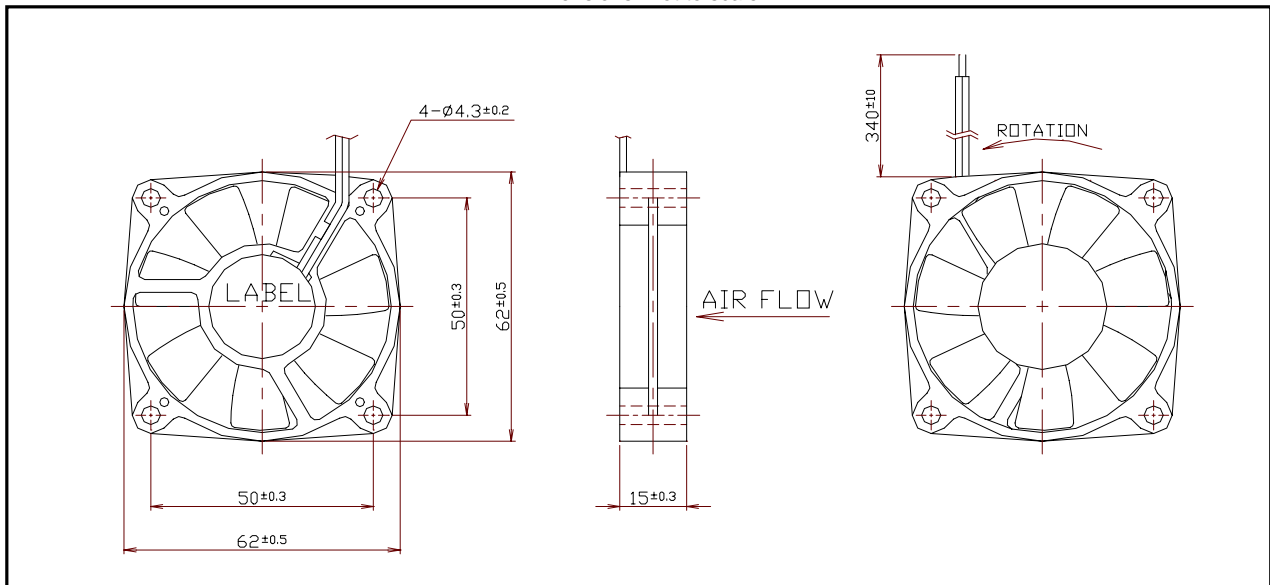


# F6215AN TYPE

1ボール1スリーブ  
(60x60x15mm)

Dimensions: Not to scale



## Specifications

機種名 (Model)		F6215AN-12LCV			
定格電圧 (DCV)	12				
Rated voltage					
使用電圧範囲 (DCV)	10.2~13.8				
Operating voltage range					
定格電流 (A)	0.1				
Rated current					
定格入力 (W)	1.2				
Rated input					
最大風量 (m <sup>3</sup> /min)	0.4				
Max Air Volume					
最大静圧 (Pa)	20				
Max Static Pressure					
A特性音圧レベル (dB)	30				
Noise Lv at 1m (A-weighted)					
回転速度 (min <sup>-1</sup> )	3,300				
Rotation frequency					
期待寿命 (h)	50,000				
Life expectancy	★ Room temp-humidity				

使用温度範囲(Operating temp. range): -10 ~ +60°C ★★

保存温度範囲(Storage temp. range): -40 ~ +70 ★★

リード線(Lead Wire): UL2468 AWG26: Red(+), Black(-)

重量(Weight): 41g

絶縁抵抗(Insulation resist.): Min 10M Ω at DC500V (Between frame and leadwire)

耐電圧(Voltage withstand): 5mA (AC500V 1minute or AC600V 1 second, between frame and leadwire)

★ In room temperature and humidity ★★ In room humidity Room temp.=20±15°C, Room humidity=65±20%

0203

Specifications subject to change without notice. Copyright ©2002 Shicoh Engineering Co., Ltd.

<http://www.shicoh.com>

