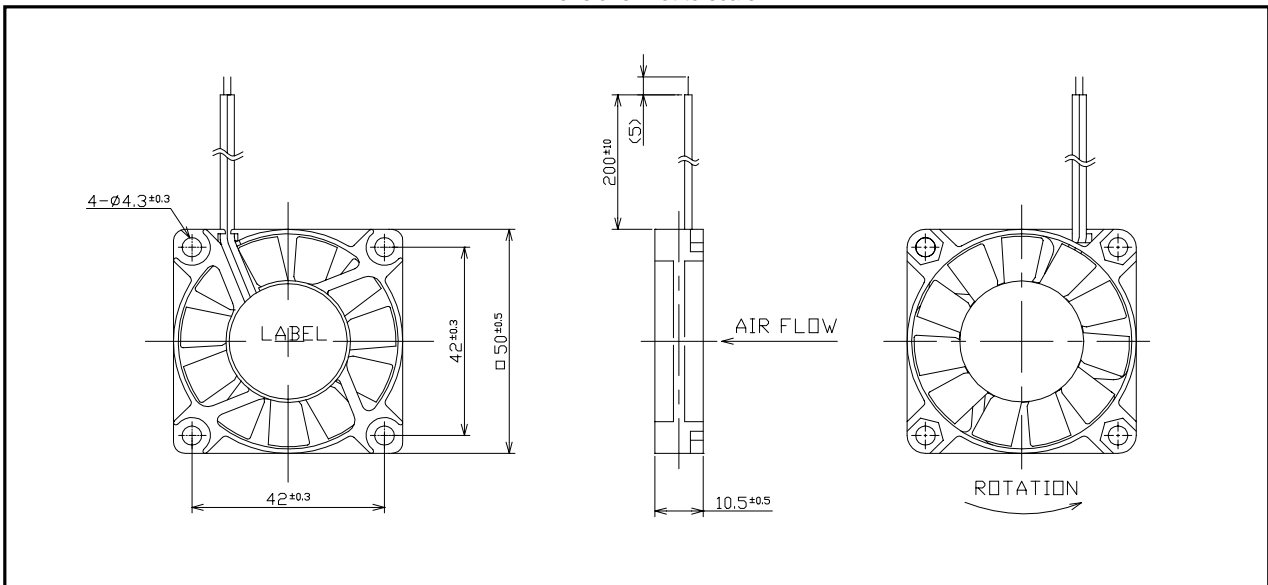


F5010AP TYPE

1ポール1スリーブ
(50x50x10.5mm)

Dimensions: Not to scale



Specifications

機種名 (Model)	F5010AP-05PCV F5010AP-12RCV				
定格電圧 (DCV)	5	12			
Rated voltage					
使用電圧範囲 (DCV)	4.5~5.5	10.2~13.8			
Operating voltage range					
定格電流 (A)	0.3	0.15			
Rated current					
定格入力 (W)	1.5	1.8			
Rated input					
最大風量 (m ³ /min)	0.25	0.3			
Max Air Volume					
最大静圧 (Pa)	28.4	39.2			
Max Static Pressure					
A特性音圧レベル (dB)	33	36			
Noise Lv at 1m (A-weighted)					
回転速度 (min ⁻¹)	4,500	5,400			
Rotation frequency					
期待寿命 (h)	50,000				
Life expectancy	★ Room temp-humidity				

使用温度範囲(Operating temp. range) :

-5~+60°C(5V), -10 ~ +60°C(12V) ★★

保存温度範囲(Storage temp. range) :

-40 ~ +70 ★★

リード線(Lead Wire) :

UL2468 AWG28: {5V: Red(+), Green(-)}, {12V: Red(+), Black(-)}

重量(Weight):

22g

絶縁抵抗(Insulation resist.) :

Min 10M Ω at DC500V (Between frame and leadwire)

耐電圧(Voltage withstand):

5mA (AC500V 1minute or AC600V 1 second, between frame and leadwire)

★ In room temperature and humidity ★★ In room humidity Room temp.=20±15°C, Room humidity=65±20%

0203

Specifications subject to change without notice. Copyright ©2002 Shicoh Engineering Co., Ltd.

<http://www.shicoh.com>

 **SHICOH**