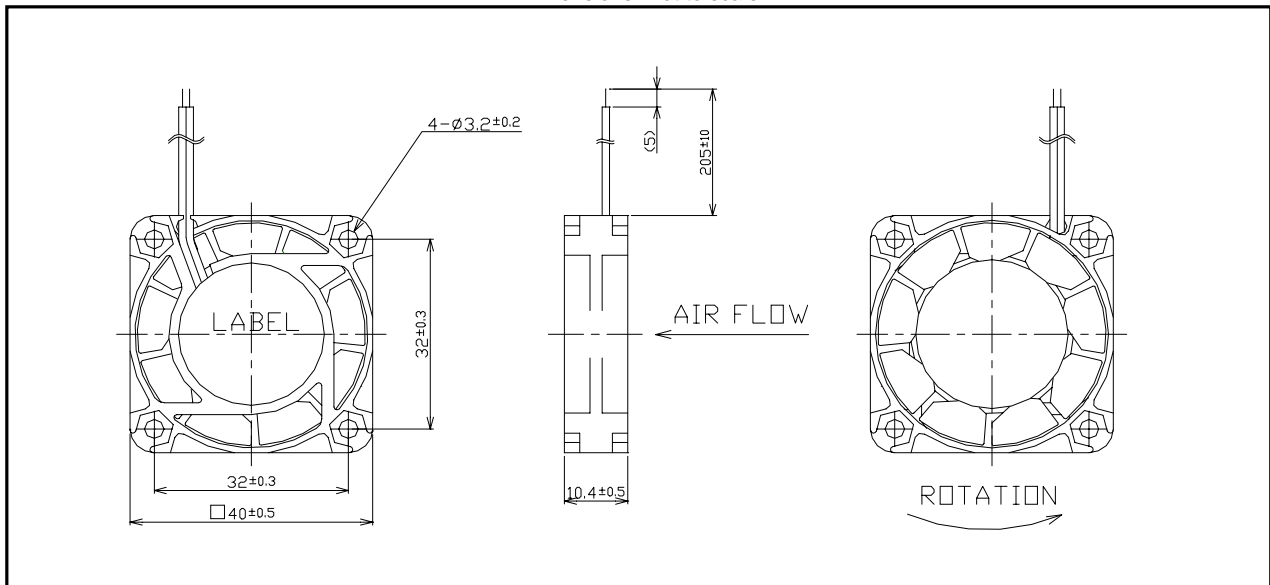


F4010AN TYPE

1ボール1スリーブ
(40x40x10.4mm)

Dimensions: Not to scale



Specifications

機種名 (Model)	F4010AN-05NCV	F4010AN-12PCV	F4010AN-12QCW	F4010AN-12SCV		
定格電圧 (DCV)	5	12	12	12		
Rated voltage						
使用電圧範囲 (DCV)	4.5~5.5	10.2~13.8	10.2~13.8	10.2~13.8		
Operating voltage range						
定格電流 (A)	0.19	0.08	0.09	0.11		
Rated current						
定格入力 (W)	0.95	0.96	1.08	1.32		
Rated input						
最大風量 (m ³ /min)	0.12	0.09	0.12	0.13		
Max Air Volume						
最大静圧 (Pa)	29.4	22.5	31.4	39.2		
Max Static Pressure						
A特性音圧レベル (dB)	25	23	27	35		
Noise Lv at 1m (A-weighted)						
回転速度 (min ⁻¹)	4,800	4,400	5,100	6,500		
Rotation frequency						
期待寿命 (h)	50,000					
Life expectancy	★ Room temp-humidity					

使用温度範囲(Operating temp. range) :

-5~+60°C(5V), -10 ~ +60°C(12V) ★★

保存温度範囲(Strage temp. range) :

-40 ~ +70 ★★

リード線(Lead Wire) :

UL2468 AWG26: {5V: Red(+), Green(-)}, {12V: Red(+), Black(-)}

重量(Weight):

21g

絶縁抵抗(Insulation resist.) :

Min 10M Ω at DC500V (Between frame and leadwire)

耐電圧(Voltage withstand):

5mA (AC500V 1minute or AC600V 1 second, between frame and leadwire)

★ In room temperature and humidity ★★ In room humidity Room temp.=20±15°C, Room humidity=65±20%

0203

Specifications subject to change without notice. Copyright ©2002 Shicoh Engineering Co., Ltd.

<http://www.shicoh.com>

 **SHICOH**