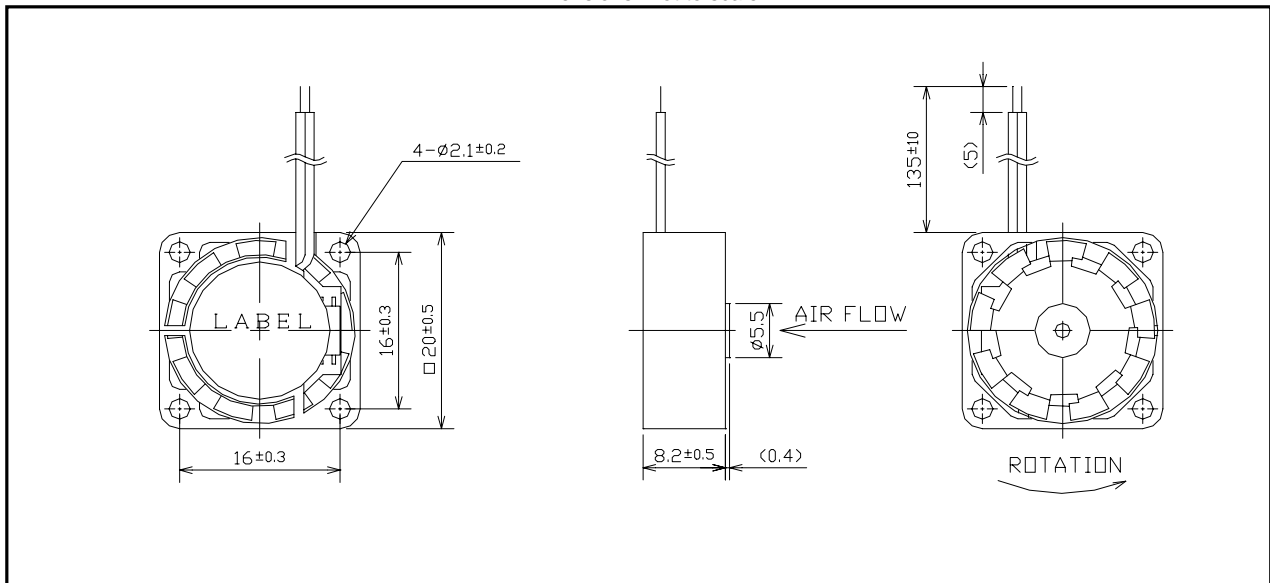


# F2008AN TYPE

1ボール1スリーブ  
(20x20x8mm)

Dimensions: Not to scale



## Specifications

機種名 (Model)	F2008AN-05SCV F2008AN-12TCV				
定格電圧 (DCV)	5	12			
Rated voltage					
使用電圧範囲 (DCV)	4.5~5.5	10.2~13.8			
Operating voltage range					
定格電流 (A)	0.06	0.07			
Rated current					
定格入力 (W)	0.3	0.84			
Rated input					
最大風量 (m <sup>3</sup> /min)	0.012	0.014			
Max Air Volume					
最大静圧 (Pa)	6.4	7.8			
Max Static Pressure					
A特性音圧レベル (dB)	22	27			
Noise Lv at 1m (A-weighted)	(20cm)	(20cm)			
回転速度 (min <sup>-1</sup> )	6,100	6,800			
Rotation frequency					
期待寿命 (h)	50,000				
Life expectancy	★ Room temp-humidity				

使用温度範囲(Operating temp. range) : -5~+60°C(5V), -10 ~ +60°C(12V) ★★

保存温度範囲(Storage temp. range) : -40 ~ +70 ★★

リード線(Lead Wire) : UL1571 AWG28: {5V: Red(+), Green(-)}, {12V: Red(+), Black(-)}

重量(Weight): 5.3g

絶縁抵抗(Insulation resist.) : Min 10M Ω at DC500V (Between frame and leadwire)

耐電圧(Voltage withstand): 5mA (AC500V 1minute or AC600V 1 second, between frame and leadwire)

★In room temperature and humidity ★★In room humidity Room temp.=20±15°C, Room humidity=65±20%

0203

Specifications subject to change without notice. Copyright ©2002 Shicoh Engineering Co., Ltd.

<http://www.shicoh.com>

